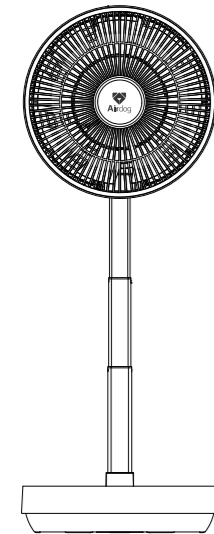




OPERATION MANUAL OF FOLDABLE FAN

F10



AIRDOG USA INC.



Customer Service: support@airdogusa.com

Official Website: https://airdogusa.com/

ACCESSORIES LIST

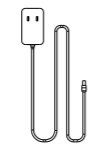
Instructions × 1



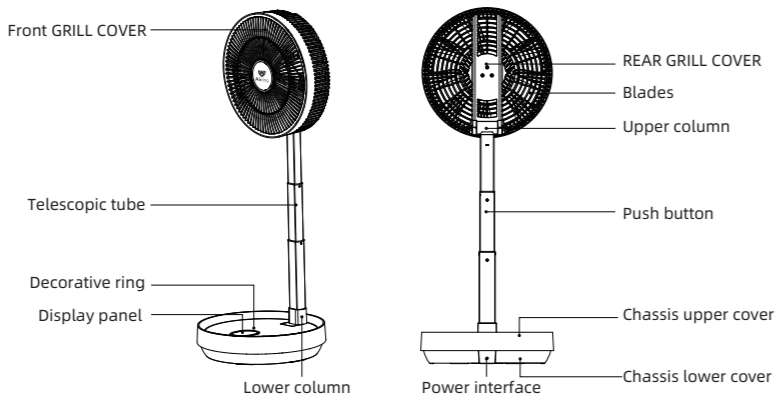
Remote Control × 1



Power Adapter x 1



PART NAME



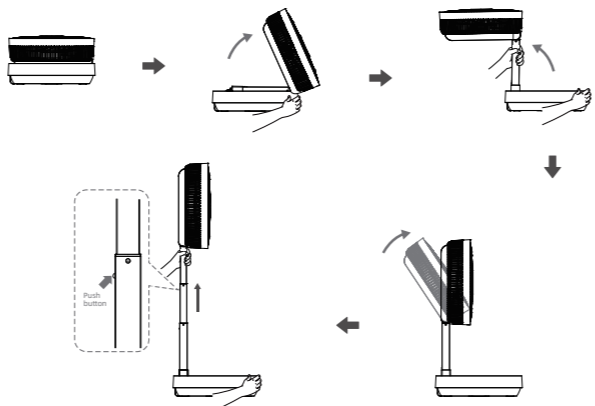
INSTRUCTIONS FOR FOLDING AND ADJUSTING

Tips:

- A. The unfolding & folding of the whole machine needs to be operated on a flat and stable surface, such as the ground or a desktop.
- B. The telescopic tube should be adjusted one by one from top to bottom.
- C. Always turn off the power before unfolding & folding the fan.

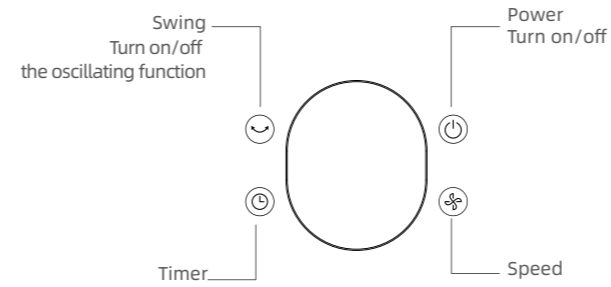
Operation steps:

1. In the folded state, firmly hold the base by hand, and then place the fan head at a 90°.
2. After fixing the fan head, lift the telescopic tube 90°.
3. Rotate the fan head by 90° while ensuring that the telescopic tube is not shaking.
4. Adjust the height of the fan: hold the upper column with one hand, press the base or telescopic tube with the other hand, and gently adjust the tube upward to your desired height. Make sure to be gentle while adjusting the telescopic tube and push button during use.
5. Storage: do the operation steps in reverse to fold and store the Fan.



BUTTON DESCRIPTION

Control panel

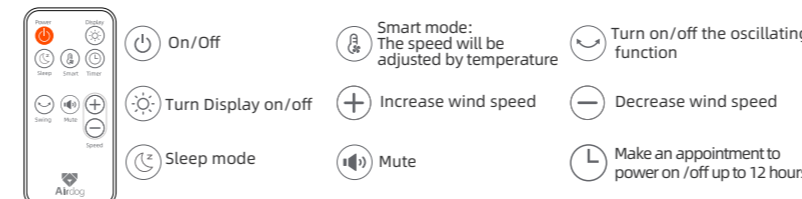


1. In running, you can set a Timer to turn off Fan.
2. In Standby, you can set a Timer to start.
3. Timer can be cycle from 01 to 12.

1. Short press to adjust the wind speed, and control the speed from 01 to 12, then cycle from 01 again.
2. Long press button for 3 seconds when running to switch fan to Sleep Mode - Smart Mode - or Normal Mode.

REMOTE CONTROL OPERATING INSTRUCTIONS

1. Remove the insulating sheet from the remote control before use.
2. Recycle battery as it contains hazardous substances.



Display panel



Speed/Timer display:

When timer is not on, it shows the speed. When timer is on, it shows speed /timer's remaining time every 5 seconds.

Timer display indicator:

When displayed, the "88" shows the timer's remaining time.

Sleep mode:

Under the sleep mode, the fan starts with normal wind and reduces by 1 gear every half an hour. The wind will finally fall to 1 if starting at 1-3, and finally fall to 3 if starting at 4-12.

Smart mode:

Wind speed will be adjusted by temperature: the Fan automatically adjusts the fan speed according to the indoor temperature, and the digital displays the real-time gear.

1. Battery power display: Every two small bars represent one grid of electricity.
2. During the charging state of the machine, six small bars display the battery power. In the case of charging without connecting the adapter and starting up, six small bars will show the remaining battery power (from left to right: 30%, 60%, 100%).
3. When the battery is low, the indicator flashes.

Note:

1. When the power supply is not switched on (i.e. in standby), the fan has memory function. It can remember the wind speed, swing head and mode state before standby.
2. The whole machine shuts down automatically for 24 hours without operation. If no button is pushed on the remote control and control panel within a 24 hour period, the fan will automatically shut down.

QUALITY ASSURANCE CARD

Matters Needing Attention

1. When the product is used in a commercial setting, the time limit of the warranty guarantee will be reduced by half.
2. If the purchase date of the guarantee is filled in, altered or inconsistent with the material object, the guarantee will lose its effectiveness.
3. The accessories and consumable parts of this product are not guaranteed (such as remote control, packaging materials, user manual...).
4. In case of any of the following circumstances, no free preferential treatment will be given during the warranty period.
 - (A) Failure or damage caused by natural or man-made disasters.
 - (B) Failure or damage caused by the relocation or handling of the body position.
 - (C) The cause of the failure occurs outside the body, such as failure or damage caused by external forces during outdoor activities.
 - (D) Damage or misuse of the goods due to malfunction or misuse.
 - (E) Failure or damage caused by unauthorized modification of goods or maintenance by professionals not affiliated to the company.



Customer Service: support@airdogusa.com

Official Website: https://airdogusa.com/

TROUBLESHOOTING

IMPORTANT: Before cleaning the Fan blades or performing any maintenance / troubleshooting on the fan, always make sure to 1st turn off the power and unplug the power cord from the power source.

| Fault symptom | Fault reasons | Solution |
|---------------------------------|---|---|
| Fan does not operate | The power outlet is dead | Different socket |
| | The power cord is not plugged in place | Plug into a live power outlet |
| Noise during operation | Power cord is not connected correctly | Use power adapter matched with this machine |
| | Dirty fan blades | Remove the front grill cover and clean the fan blade |
| No swing | Loose motor blades | Remove the front grill cover and tighten the fan blade and fixing cap |
| | The correct function key is not pressed | Contact Airdog for next steps |
| Fan blade stuck | Motor failure | Make sure Swing function was selected |
| | The fan blade is stuck due to a foreign substance | Turn off power, unplug from the power source, and then remove the substance |
| The battery indicator is not on | Battery failure | Contact Airdog for next steps |
| | The battery is dead | Please use 12V/2A adapter for charging |

4. Warning (if used improperly, electric shock, fire, personal injury and other damage may occur.)

- Do not use this product in places that are unstable or places the fan could fall over. Only use the fan on solid, stable and flat surfaces which the fan will remain in a safe upright position during the entire duration of its use. Do not hold the fan off of the ground while in use.
- Do not use this product in a place where objects nearby can fall over, or that the fan's wind could knock an object over or out of the object's safe orientation prior to fan wind hitting it.
- Do not use this product in hot and/or humid environments such as a bathroom.
- Do not use this product when the power cord is damaged or the power cord plug is loose.
- Do not operate this product if either the front fan grill or rear fan grill is not fully and properly secured. Never operate the fan without the front or rear fan grill fully and safely covering the fan blades.
- Do not allow pets or children, including adults who do not understand this manual, to operate this product.
- Do not replace the power cord without the manufacturer's authorization; do not connect the power cord halfway or use it with other electrical appliances.
- Do not place any part of the fan, including its power cord, nor operate the fan, near any water.
- Do not disassemble, refit or repair internal components without the manufacturer's authorization.
- Do not climb on, sit on, or put bodyweight on this machine.
- Do not store in flammables and explosives around the fan body. Do not place the fan near a heat source.
- Do not directly wash the fan body with water.
- Do not insert your fingers, body parts, clothing, or any foreign objects into the fan's front grill, rear grill, cover, or running fan blades.
- Do not put hair, clothing, fabric, etc. Near the fan to avoid being drawn in and causing danger.
- Do not spray cleaning liquid or pesticide on the fan to avoid damaging the plastic surface.
- Do not use outdoors.
- Do not let children or animals touch the fan, to avoid accidents.
- The company is not responsible for any injury caused by improper operation.
- When people leave the machine or when the machine is not in use, turn off the power and unplug the power plug to avoid circuit failure and accidents.

SAFETY ALERT

Note: Read this manual carefully before use. The company reserves the right to interpret the instructions. The appearance of the product shall be subject to the actual final object. In case of product technology or software upgrade, a notice maybe given.

SAFETY PRECAUTIONS

1. Transport

- Before moving the fan, be sure to turn off the fan and unplug from the power source.
- Hold the fan base or handle firmly to avoid the fan falling and hurting anyone or anything.

2.Power Adapter

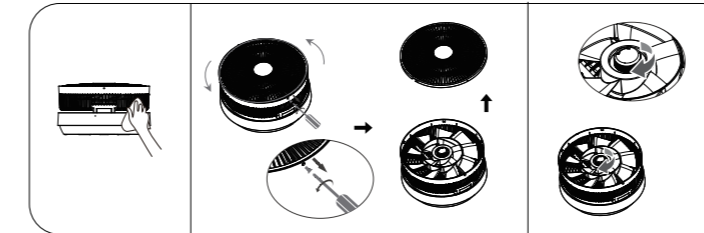
- Before carrying out maintenance work or moving the fan, please disconnect the power adapter from the AC power socket.
- Do not pinch, bend or twist the AC power cord excessively, otherwise the cord's core maybe exposed or broken.
- Do not use an inappropriate AC outlet.
- Do not use a power adapter provided by any other device with this fan.
- In order to avoid danger, if the power cord is damaged it must be replaced by professionals authorized by the manufacturer.

3. Usage

- Before use, please refer to the voltage and frequency showed on the fan's specification label to determine safe usage.
- Do not insert your fingers or other objects into the front or rear fan grill during use. To do so is dangerous and should never be done.
- In case of abnormal sounds, peculiar smells, high temperature, irregular rotation of fan and/or other abnormalities, please stop using the product immediately and contact the manufacturer for next steps before using the fan again.

CLEAN DISASSEMBLY METHOD

1. Complete machine: please take the complete machine out of the box and place it on a clean and flat place to ensure that the machine will not be in danger of falling before disassembly or assembly of other parts.
2. Disassembly of the front grill cover: Hold the frame of the fan firmly. Unscrew the fixing screw of the grill cover group counterclockwise with a screwdriver. Rotate and open it counterclockwise. Remove the front grill cover.
3. Fan blade removal: remove the fan blade nut clockwise and remove the fan blade.



COMPOSITION OF HAZARDOUS SUBSTANCES

| Part name | Hazardous substances | | | | | |
|---------------|----------------------|------|------|----------|-------|------|
| | (Pb) | (Hg) | (Cd) | (Cr(VI)) | (PBB) | PBDE |
| Shell | ○ | ○ | ○ | ○ | ○ | ○ |
| PCB | × | ○ | ○ | ○ | ○ | ○ |
| Power adapter | × | ○ | ○ | ○ | ○ | ○ |
| Package | ○ | ○ | ○ | ○ | ○ | ○ |
| Hardware | ○ | ○ | ○ | ○ | ○ | ○ |

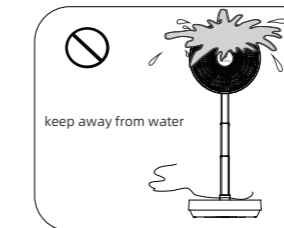
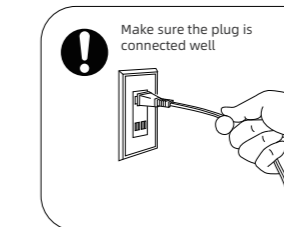
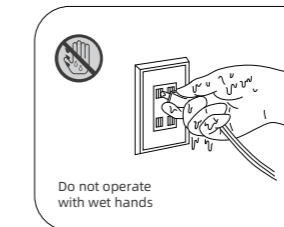
This form is prepared in accordance with SJ/T11364
 O: Indicates that the content of the hazardous substance in all homogeneous materials of the component is below the limit specified in GB/T26572.
 X: Indicates that the content of the hazardous substance in at least one homogeneous material of the component exceeds the limit specified in GB/T26572 However, with the existing technical conditions, it is extremely difficult to make the product parts completely free of the above harmful substances. The design will be gradually improved with the progress of technology.

The "environmental protection service life" of this product is 10 years, and its logo is shown in the left figure. It can only be used under the normal conditions described in this manual.

CLEANING AND MAINTENANCE

IMPORTANT: Make sure fan is not plugged and shut down in during assembly, disassembly or cleaning.

1. Before cleaning and maintaining this product, be sure to unplug the plug from the power source, and only begin cleaning or maintenance after the electrical body is completely cooled.
2. Do not use chemical solvents such as toluene, ammonia, or bleach which can damage, discolor, and cause corrosion of the fan. Do not use hard brushes as it could scratch the fan's appearance. If there is dirt that is not easy to come off, it is recommended to clean with a small amount of a neutral detergent such as Dawn dish soap or with warm water and a soft rag. Make sure to wipe off any residual soap with a dry cloth or clean rag.



BASIC PARAMETERS

PRODUCT NAME: FOLDABLE FAN

RATED VOLTAGE: DC 12V

RATED CURRENT: 2.0A

NET WEIGHT: 2.6KG

PRODUCT SIZE: 11.65" L * 11.65" W * 21" ~ 31.25" H

PACKAGE SIZE: 13.2" L * 8" W * 12.8" H

