






Warranty

The Company warrants this product to the original purchaser to be free from defects in workmanship and materials under normal use and service (all except human matters) for 1 year from the date of receiving.

 Airdogpro
Follow and like us on facebook

 Airdogpro
Follow us on twitter

 Customer Service : support@siliconvalleyairexperts.com

 Official Website : <http://airdogusa.com/>



Scan QR code for more Video Instructions
(Airdog Youtube channels)



Please Recycle

Airdog Aroma Diffuser

GUIDE

Silicon Valley Air Expert





Bluetooth Audio



Humidification



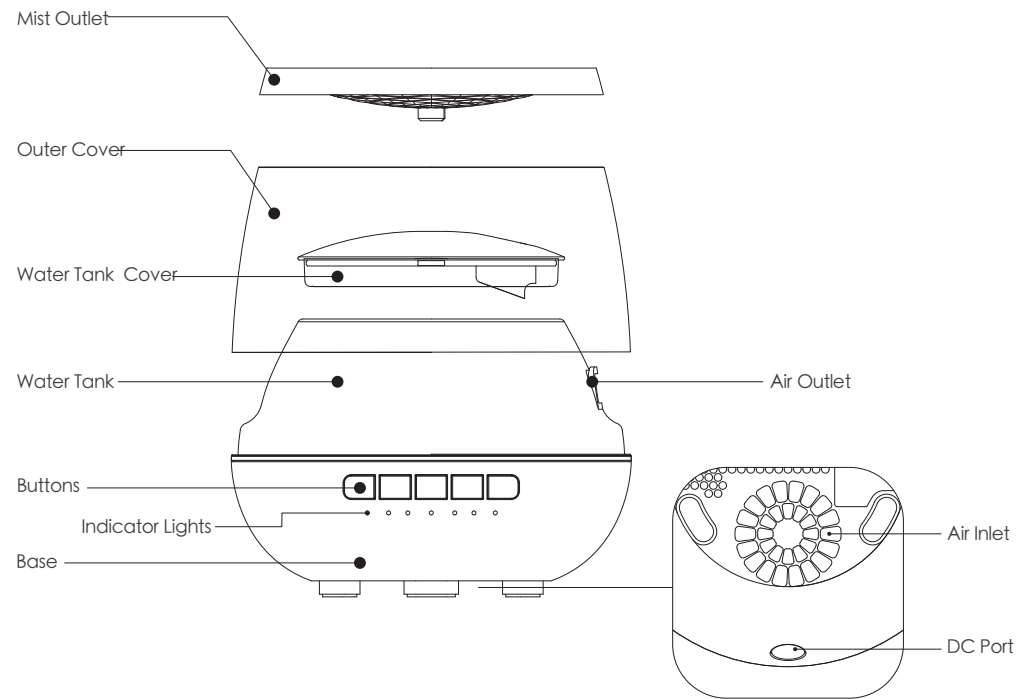
Aromatherapy



Night light



Components



Bottom View

Packing List

Aroma Diffuser Main Body × 1 AC Adapter × 1 Quick Start Guide × 1

Start to Use

1. Place Aroma Diffuser on a horizontal surface.
2. Remove outer cover and water tank cover.
3. Add purified water into water tank. The scale line on inner wall of water tank is 200ml max water level .
4. Put essential oil into water tank. (Suggestion: 5~7 drops, no more than 8 drops for 200ml water.)
5. Cover water tank and aroma diffuser.
6. Connect adapter to DC port and AC power source.

Button Instruction

 ” Power Button:

Press to turn on,  ” indicator is on. Press to turn off,  ” indicator is off. (Please keep it on for all functions.)

 ” Mist Switch:

Press it,  ” indicator on, continuously work for maximum time of 6hrs.

Press it,  ” indicator on, intermittently work for maximum time of 12hrs.

Press it, turn off Mist function.

 ” Bluetooth Audio:

Press it,  ” indicator on, turn on the bluetooth function in your device, search and connect to device "Aroma Diffuser" to play music.


Press it, turn off Bluetooth Audio function

 ” Atmosphere Light:

Press it, atmosphere light on, colors change in series.

Press it, atmosphere light stays in current color.

Press it, turn off Atmosphere Light.

 ” Timer:

Note: It only works when Mist function is on.

Press it, “ 1h ” indicator on, works for 1h.

Press it, “ 3h ” indicator on, works for 3h.

Press it, “ 5h ” indicator on, works for 5h.

Press it, turn off Timer function.

Cleaning

1. Disconnect power supply.
2. Place Aroma Diffuser on a stable and flat surface.
3. Avoid Air Outlet, operation buttons and bottom of aroma diffuser when pouring out water.
4. Clean the water tank and cover by cloth or cotton pad.
5. To clean the oil residual, please wipe the inside of water tank and cover by cloth with diluent neutral detergent first, then use cloth with warm water to clean up.
6. Clean the Mist Outlet by neutral detergent and dry it regularly.
7. For storing, please run the unit with purified water for another 30mins after cleaning, then dry all parts fully.

Troubleshooting

MALFUNCTION	REASON	SOLUTION
Diffuser Not Turned On	Power unplugged or not connected well.	Check power connection.
	DC port not connected well.	Check DC port.
	Main body damaged.	Contact customer service.
Diffuser Not Turned off	Main body damaged.	Contact customer service.
	PCB damaged.	Contact customer service.
No or Less Mist	Lack of water.	Add purified water.
Indicator Light Off	Indicator light damaged.	Contact customer service.

Attention

1. Please disconnect power supply for a while and restart again if unit falls down or functions don't work.
2. Only neutral detergent is allowed to use when cleaning. Detergent residual with chlorine, acid, enzyme will produce hazardous substance and be harmful to health.
3. Use it according to instructions strictly.
4. Don't add water over 200ml max line
5. Please use purified water ONLY.
6. Keep it away from humid environment or places with water in such as fish tank, fountain, etc.
7. Keep all parts away from heat source.
8. Don't touch adapter with wet hands.
9. Don't use it when the adapter is damaged or abnormal. (Such as overheated, smelly, and noisy, etc.)
10. Please disconnect the power supply when adding water or cleaning.
11. Don't cover the Mist Outlet.
12. Don't put anything into the Air Inlet.
13. Don't disassemble by self, please contact customer service for help.
14. Turn it off and disconnect power supply before moving it.
15. Don't remove the outer cover and water tank cover while unit is working.
16. Diffuser cannot be used in vehicle.
17. Keep it away from children. It is not a toy.
18. Please disconnect power supply when you don't use it.
19. Please clean adapter regularly to avoid dust accumulation.

Specification

Rated power: 10w	Timer: 1/3/5 hours
Rated voltage: 100-220V	Product size: 150*150*133mm
Tank capacity: 200ml	Use area: 30-50m ²
Fog velocity: 30-40ml/h	

Recommendation

- Insomnia Solution:

Essential Oil Lavender (Sandalwood, etc.) in Mist
+
White Noise from Bluetooth Audio
+
Yellow Atmosphere Light

Airdog wishes you a sweet dream!